

SIAON

福州思奥光电科技有限公司
Fuzhou Siaon Optoelectronic Technology Co., Ltd.



Add: 6/F, 1st Building, Yongtongchang Building, No.75 Fuxin Middle Road, Fuzhou, Fujian, China.

Tel: +86-591-26217832 Fax: +86-591-88048486

E-mail: siaon@siaon.com Website: www.siaon.com

CONTENTS

FA Lens

1/1.8" FA Lens	1
2/3" FA Lens	3
1" FA Lens	5

Line Scan Lens

F Mount Lens	7
M42x1 Mount Lens	8

Board Lens

0.3MP M12x0.5 Lens	9
1.3MP-3MP M12x0.5 Lens	13
5MP M12x0.5 Lens	17
Fisheye Lens	21

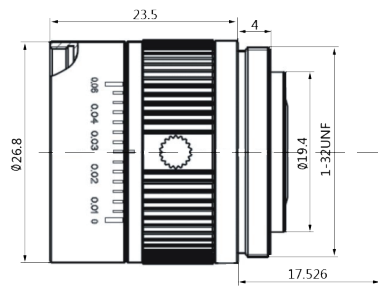
Pinhole Lens

Pinhole Lens	23
--------------	----

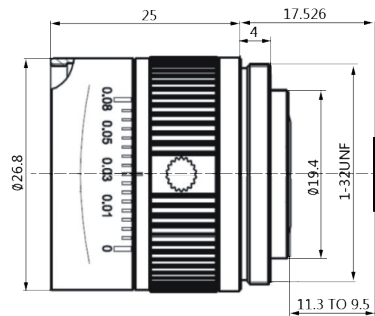
SA-M Series

- High resolution for 5MP camera
- Fixed aperture F2.2

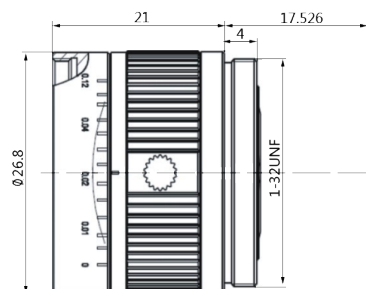
- Low distortion less than 1%
- Small volume



Model	SA-0622M
Focal Length	6mm
Format	1/1.8"
F NO.	F2.2
Iris	Fixed
Angle of View(HxV)	54.1°x41.9°
Distortion	<0.1%
M.O.D.	0.1m
Mount	C
Resolution	5MP
Filter Size	M25.5 x P0.5mm
Dimension	φ26.8mm x 23.5mm

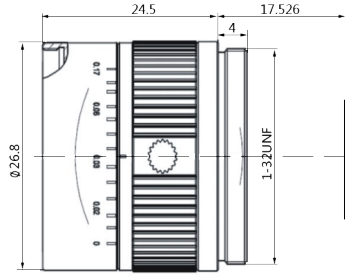


Model	SA-0822M
Focal Length	8mm
Format	1/1.8"
F NO.	F2.2
Iris	Fixed
Angle of View(HxV)	42.1°x38.2°
Distortion	<0.1%
M.O.D.	0.1m
Mount	C
Resolution	5MP
Filter Size	M25.5 x P0.5mm
Dimension	φ26.8mm x 25mm

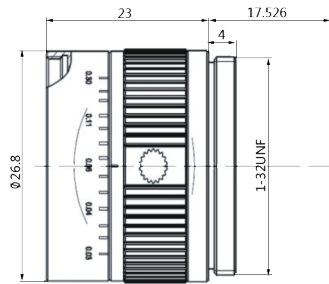


Model	SA-1222M
Focal Length	12mm
Format	1/1.8"
F NO.	F2.2
Iris	Fixed
Angle of View(HxV)	29.9°x22.9°
Distortion	<0.3%
M.O.D.	0.1m
Mount	C
Resolution	5MP
Filter Size	M25.5 x P0.5mm
Dimension	φ26.8mm x 21mm

1/1.8" FA Lens



Model	SA-1622M
Focal Length	16mm
Format	1/1.8"
F NO.	F2.2
Iris	Fixed
Angle of View(HxV)	22.6°x17.4°
Distortion	<0.1%
M.O.D.	0.1m
Mount	C
Resolution	5MP
Filter Size	M25.5 x P0.5mm
Dimension	φ26.8mm x 24.5mm

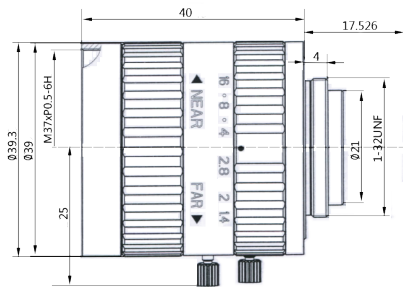


Model	SA-2522M
Focal Length	25mm
Format	1/1.8"
F NO.	F2.2
Iris	Fixed
Angle of View(HxV)	14.6°x11.3°
Distortion	<0.1%
M.O.D.	0.1m
Mount	C
Resolution	5MP
Filter Size	M25.5 x P0.5mm
Dimension	φ26.8mm x 23mm

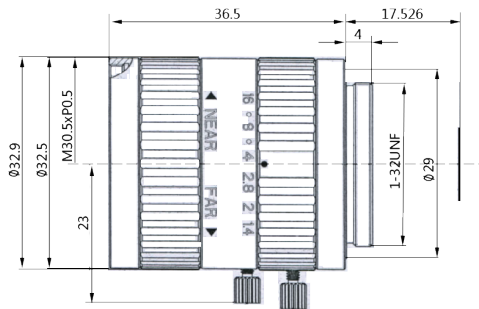
SA-S Series

- High resolution for 3MP camera
- Large aperture ratio for low illumination

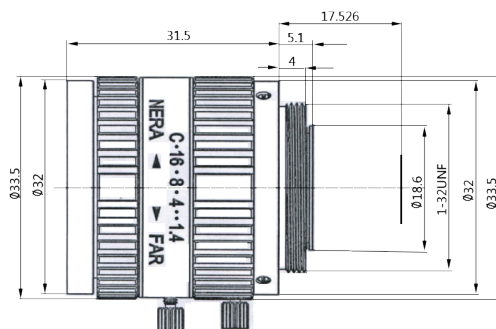
- Low distortion less than 1%
- High relative illuminate rate at corner



Model	SA-0814S
Focal Length	8mm
Format	2/3"
F NO.	F1.4 ~ F16
Iris	Manual
Angle of View(HxV)	56.3°x43.7°
Distortion	<-1%
M.O.D.	0.1m
Mount	C
Resolution	3MP
Filter Size	M37.0 x P0.5mm
Dimension	φ39.3mm x 40mm

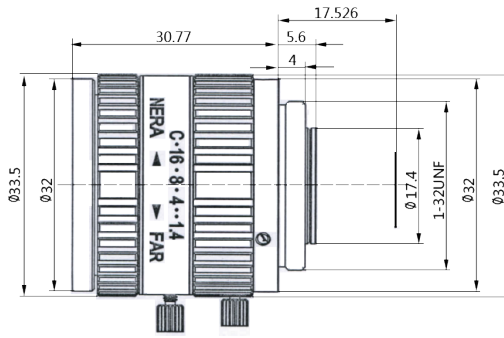


Model	SA-1214S
Focal Length	12mm
Format	2/3"
F NO.	F1.4 ~ F16
Iris	Manual
Angle of View(HxV)	39°x30.3°
Distortion	<-0.8%
M.O.D.	0.15m
Mount	C
Resolution	3MP
Filter Size	M30.5 x P0.5mm
Dimension	φ32.9mm x 36.5mm

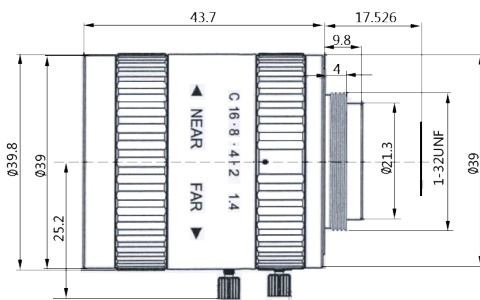


Model	SA-1614S
Focal Length	16mm
Format	2/3"
F NO.	F1.4 ~ F16
Iris	Manual
Angle of View(HxV)	30.3°x23°
Distortion	<0.3%
M.O.D.	0.3m
Mount	C
Resolution	3MP
Filter Size	M30.5 x P0.5mm
Dimension	φ33.5mm x 31.5mm

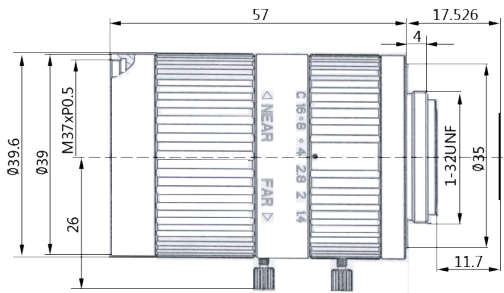
2/3" FA Lens



Model	SA-2514S
Focal Length	25mm
Format	2/3"
F NO.	F1.4 ~ F16
Iris	Manual
Angle of View(HxV)	20°x15°
Distortion	<0.2%
M.O.D.	0.3m
Mount	C
Resolution	3MP
Filter Size	M30.5 x P0.5mm
Dimension	φ33.5mm x 30.77mm



Model	SA-3514S
Focal Length	35mm
Format	2/3"
F NO.	F1.4 ~ C
Iris	Manual
Angle of View(HxV)	13.9°x10.4°
Distortion	<0.8%
M.O.D.	0.2m
Mount	C
Resolution	3MP
Filter Size	M37 x P0.5mm
Dimension	φ39.8mm x 43.7mm

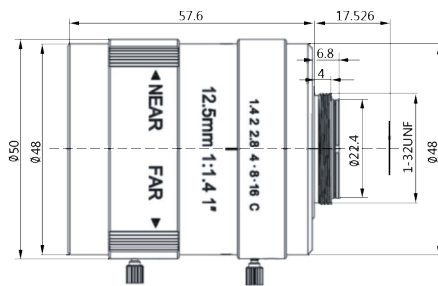


Model	SA-5014S
Focal Length	50mm
Format	2/3"
F NO.	F1.4 ~ C
Iris	Manual
Angle of View(HxV)	10.5°x7.9°
Distortion	<0.8%
M.O.D.	0.3m
Mount	C
Resolution	3MP
Filter Size	M37 x P0.5mm
Dimension	φ39.6mm x 57mm

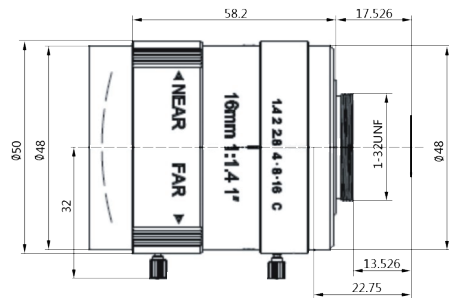
SA-L Series

- High resolution for 5MP camera
- Large aperture ratio for low illumination

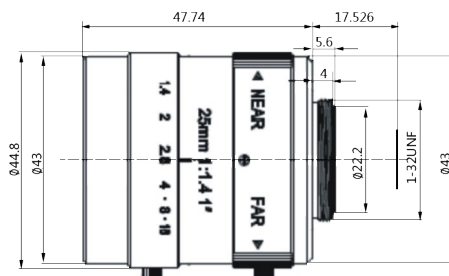
- Low distortion less than 1%
- High relative illuminate rate at corner



Model	SA-1214L
Focal Length	12.5mm
Format	1"
F NO.	F1.4~C
Iris	Manual
Angle of View(HxV)	54.5°x42°
Distortion	<1.8%
M.O.D.	0.1m
Mount	C
Resolution	5MP
Filter Size	M46.0 x P0.75mm
Dimension	φ50mm x 57.6mm

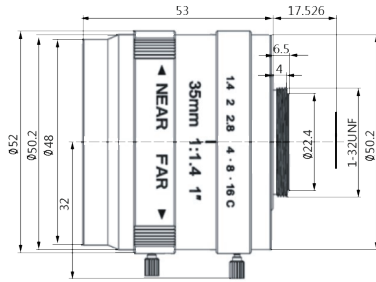


Model	SA-1614L
Focal Length	16mm
Format	1"
F NO.	F1.4~C
Iris	Manual
Angle of View(HxV)	42.4°x32.4°
Distortion	<0.2%
M.O.D.	0.1m
Mount	C
Resolution	5MP
Filter Size	M46.0 x P0.75mm
Dimension	φ50mm x 58.2mm

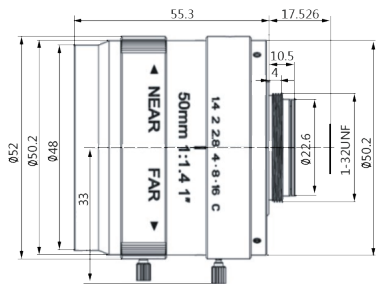


Model	SA-2514L
Focal Length	25mm
Format	1"
F NO.	F1.4~C
Iris	Manual
Angle of View(HxV)	28.6°x21.6°
Distortion	<0.2%
M.O.D.	0.1m
Mount	C
Resolution	5MP
Filter Size	M30.5 x P0.5mm
Dimension	φ44.8mm x 47.74mm

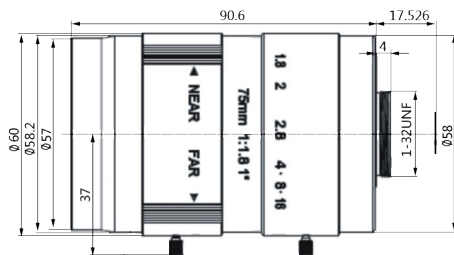
1" FA Lens



Model	SA-3514L
Focal Length	35mm
Format	1"
F NO.	F1.4 ~ C
Iris	Manual
Angle of View(HxV)	19.3°x14.3°
Distortion	<0.1%
M.O.D.	0.15m
Mount	C
Resolution	5MP
Filter Size	M46 x P0.75mm
Dimension	φ52mm x 53mm



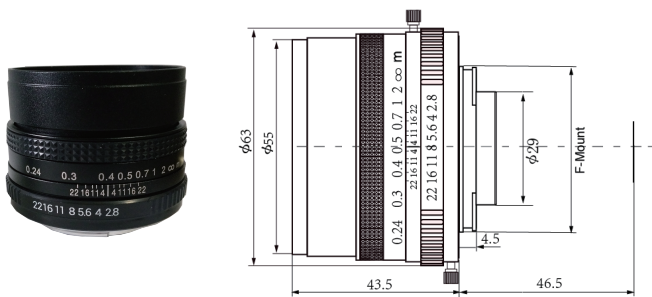
Model	SA-5014L
Focal Length	50mm
Format	1"
F NO.	F1.4 ~ C
Iris	Manual
Angle of View(HxV)	13.9°x10.4°
Distortion	<0.1%
M.O.D.	0.3m
Mount	C
Resolution	5MP
Filter Size	M46 x P0.75mm
Dimension	φ52mm x 55.3mm



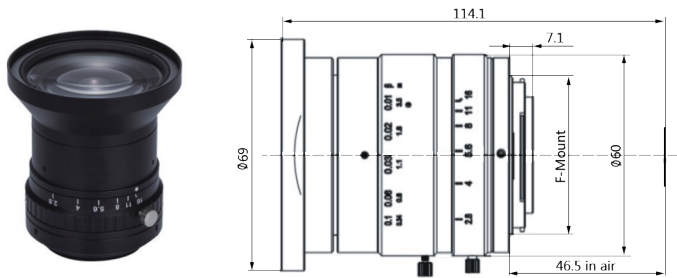
Model	SA-7518L
Focal Length	75mm
Format	1"
F NO.	F1.8 ~ C
Iris	Manual
Angle of View(HxV)	9.8°x7.4°
Distortion	<0.2%
M.O.D.	0.8m
Mount	C
Resolution	5MP
Filter Size	M58 x P0.75mm
Dimension	φ60mm x 90.6mm

SA-LF Series

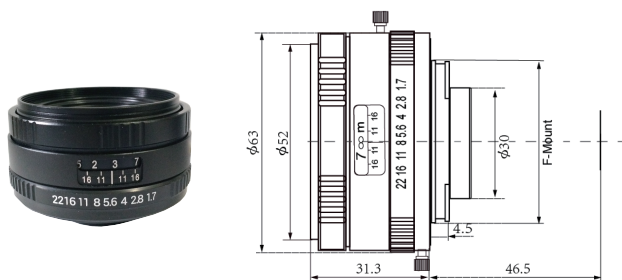
- High resolution line scan lens with F mount
 - Uniformity from the center to the edge of the lens
- Low distortion
 - Compact size and light weight



Model	SA-2428LF
Focal Length	24mm
Format	43mm
F NO.	F2.8 ~ F22
Iris	Manual
Angle of View(D)	84°
Distortion	<3%
M.O.D.	0.24m
Mount	F
Resolution	30lp/mm
Filter Size	M55 x P0.75mm
Dimension	φ63mm x 43.5mm



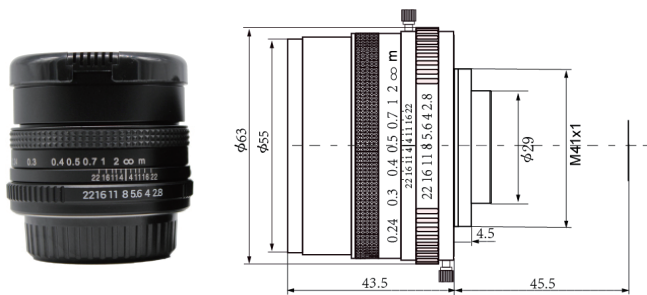
Model	SA-3528LF
Focal Length	35mm
Format	43mm
F NO.	F2.8 ~ F16
Iris	Manual
Angle of View(D)	63°
Distortion	<0.5%
M.O.D.	0.2m
Mount	F
Resolution	29MP
Filter Size	M67 x P0.75mm
Dimension	φ69mm x 67.6mm



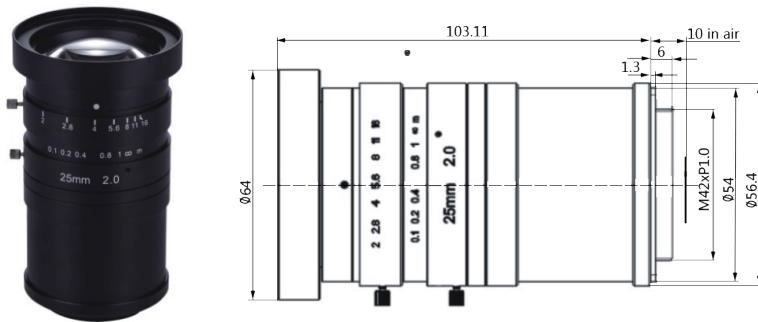
Model	SA-5017LF
Focal Length	50mm
Format	43mm
F NO.	F1.7 ~ F22
Iris	Manual
Angle of View(D)	46°
Distortion	<1%
M.O.D.	0.4m
Mount	F
Resolution	50lp/mm
Filter Size	M52 x P0.75mm
Dimension	φ63mm x 31.3mm

SA-LM42 Series

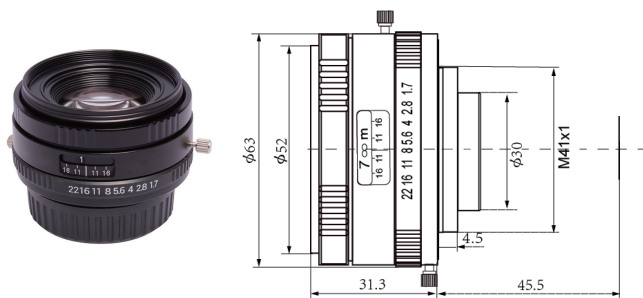
- High resolution line scan lens with M42x1 mount
 - Uniformity from the center to the edge of the lens
- Low distortion
 - Compact size and light weight



Model	SA-2428LM42
Focal Length	24mm
Format	43mm
F NO.	F2.8~F22
Iris	Manual
Angle of View(D)	84°
Distortion	<3%
M.O.D.	0.24m
Mount	M42x1
Resolution	30lp/mm
Filter Size	M55 x P0.75mm
Dimension	φ63mm x 43.5mm



Model	SA-2520LM42
Focal Length	25mm
Format	28mm
F NO.	F2.0~F16
Iris	Manual
Angle of View(D)	58.8°
Distortion	<1.5%
M.O.D.	0.3m
Mount	M42x1
Resolution	12MP
Filter Size	M62 x P0.75mm
Dimension	φ64mm x 103.11mm

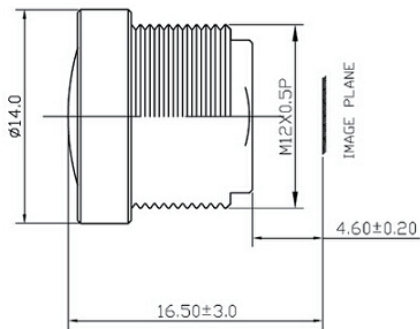


Model	SA-5017LM42
Focal Length	50mm
Format	43mm
F NO.	F1.7~F22
Iris	Manual
Angle of View(D)	46°
Distortion	<1%
M.O.D.	0.4m
Mount	M42x1
Resolution	50lp/mm
Filter Size	M52 x P0.75mm
Dimension	φ63mm x 31.3mm

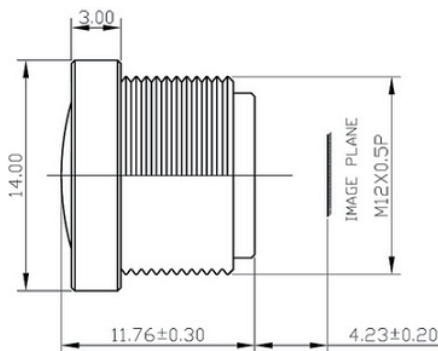
SA-B Series

■ 0.3MP M12x0.5 Lens

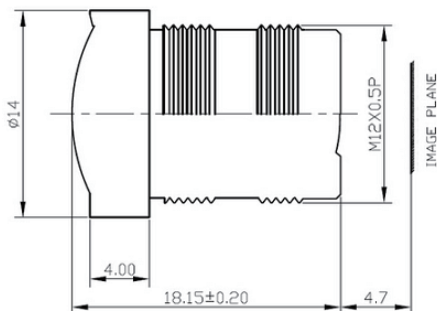
■ Applicable in security monitoring, car dvr, video door bell



Model	SA-01824B
Focal Length	1.8mm
Format	1/4"
F NO.	F2.4
Iris	Fixed
Angle of View(DxHxV)	170°x122°x88°
Distortion	<-28%
M.O.D.	0.2m
Mount	M12x0.5
Resolution	0.3MP
Dimension	$\phi 14$ mm x 11.9mm

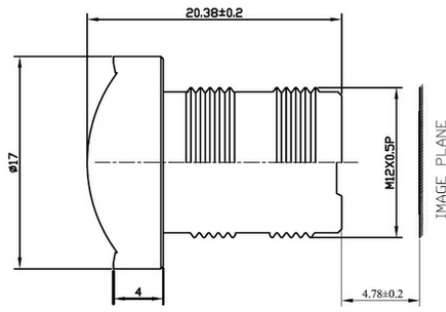


Model	SA-019522B
Focal Length	1.95mm
Format	1/4"
F NO.	F2.2
Iris	Fixed
Angle of View(DxHxV)	156°x120°x85°
Distortion	<-62%
M.O.D.	0.05m
Mount	M12x0.5
Resolution	0.3MP
Dimension	$\phi 14$ mm x 11.76mm

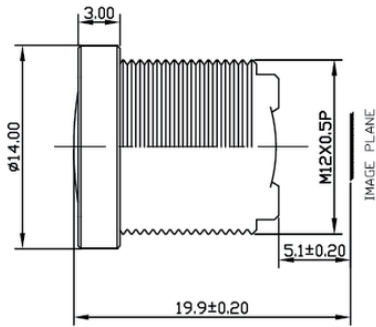


Model	SA-0220B
Focal Length	2.0mm
Format	1/3"
F NO.	F2.0
Iris	Fixed
Angle of View(DxHxV)	151°x122°x91°
Distortion	<-63%
M.O.D.	0.2m
Mount	M12x0.5
Resolution	0.3MP
Dimension	$\phi 14$ mm x 18.15mm

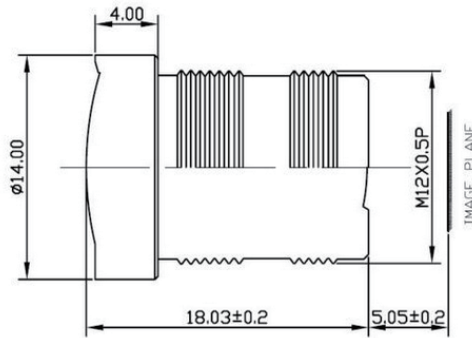
Board Lens



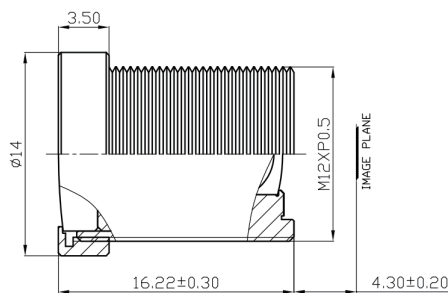
Model	SA-02120B
Focal Length	2.1mm
Format	1/3"
F NO.	F2.0
Iris	Fixed
Angle of View(DxHxV)	151°x126°x96°
Distortion	<-60%
M.O.D.	0.2m
Mount	M12x0.5
Resolution	0.3MP
Dimension	φ17mm x 20.38mm



Model	SA-02220B
Focal Length	2.2mm
Format	1/4"
F NO.	F2.0
Iris	Fixed
Angle of View(DxHxV)	128°x96°x70°
Distortion	<-40%
M.O.D.	0.1m
Mount	M12x0.5
Resolution	0.3MP
Dimension	φ14mm x 14.8mm

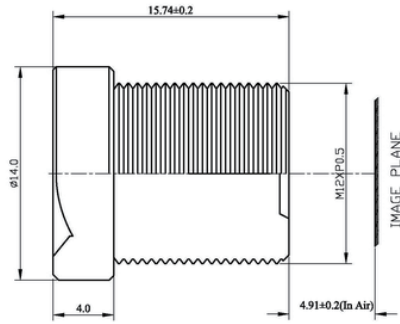


Model	SA-02520B
Focal Length	2.5mm
Format	1/3"
F NO.	F2.0
Iris	Fixed
Angle of View(DxHxV)	140°x111.8°x83°
Distortion	<-53%
M.O.D.	0.2m
Mount	M12x0.5
Resolution	0.3MP
Dimension	φ14mm x 18.03mm

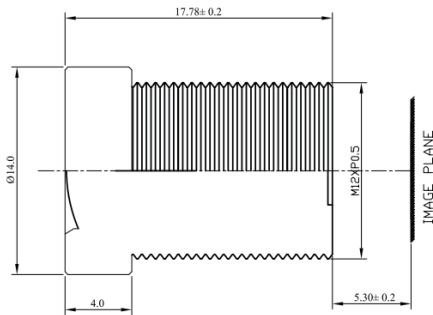


Model	SA-02920B
Focal Length	2.9mm
Format	1/3"
F NO.	F2.0
Iris	Fixed
Angle of View(DxHxV)	142°x103°x75°
Distortion	<-64%
M.O.D.	0.2m
Mount	M12x0.5
Resolution	0.3MP
Dimension	φ14mm x 16.22mm

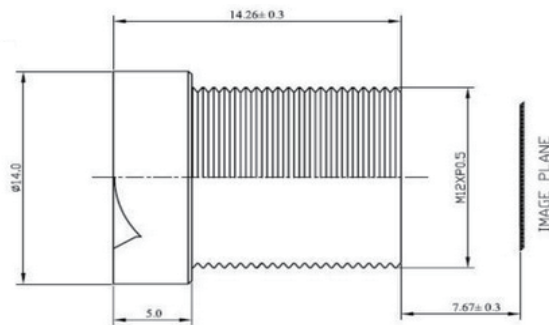
Board Lens



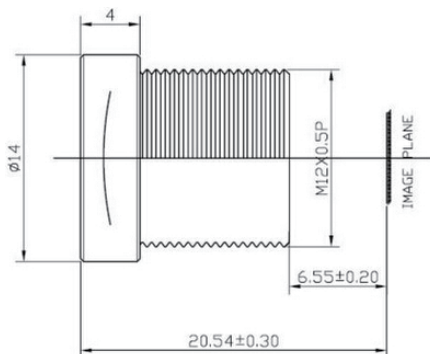
Model	SA-03620B
Focal Length	3.6mm
Format	1/3"
F NO.	F2.0
Iris	Fixed
Angle of View(DxHxV)	100°x78°x57.2°
Distortion	/
M.O.D.	0.05m
Mount	M12x0.5
Resolution	0.3MP
Dimension	φ14mm x 15.74mm



Model	SA-04620B
Focal Length	4.6mm
Format	1/4"
F NO.	F2.0
Iris	Fixed
Angle of View(DxHxV)	60°x46°x35°
Distortion	<-8.8%
M.O.D.	0.2m
Mount	M12x0.5
Resolution	0.3MP
Dimension	φ14mm x 17.78mm

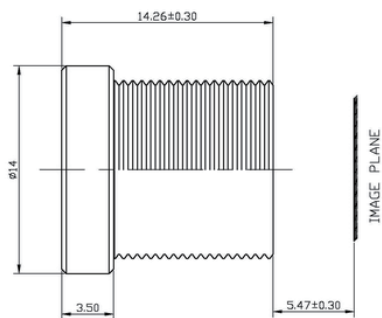


Model	SA-06120B
Focal Length	6.1mm
Format	1/3"
F NO.	F2.0
Iris	Fixed
Angle of View(DxHxV)	62°x44°x33°
Distortion	<-9.6%
M.O.D.	0.2m
Mount	M12x0.5
Resolution	0.3MP
Dimension	φ14mm x 14.26mm

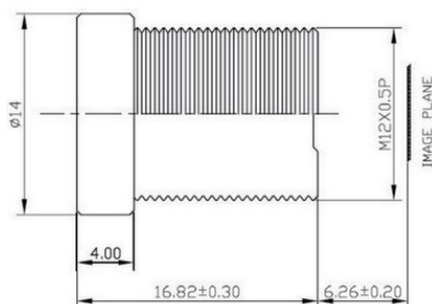


Model	SA-0820B
Focal Length	8mm
Format	1/3"
F NO.	F2.0
Iris	Fixed
Angle of View(DxHxV)	44°x35°x25.5°
Distortion	<-1.6%
M.O.D.	0.2m
Mount	M12x0.5
Resolution	0.3MP
Dimension	φ14mm x 14mm

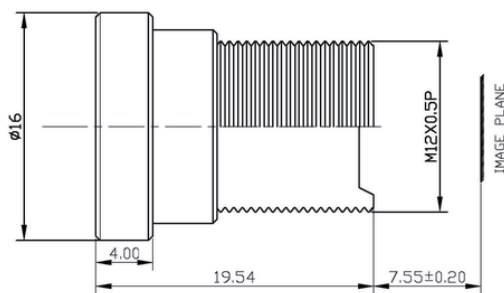
Board Lens



Model	SA-1225B
Focal Length	12mm
Format	1/3"
F NO.	F2.5
Iris	Fixed
Angle of View(DxHxV)	29°x24°x18°
Distortion	<-0.8%
M.O.D.	0.4m
Mount	M12x0.5
Resolution	0.3MP
Dimension	$\phi 14$ mm x 14.26mm



Model	SA-1620B
Focal Length	16mm
Format	1/3"
F NO.	F2.0
Iris	Fixed
Angle of View(DxHxV)	21.3°x17.1°x12.8°
Distortion	<0.3%
M.O.D.	0.4m
Mount	M12x0.5
Resolution	0.3MP
Dimension	$\phi 14$ mm x 15.95mm

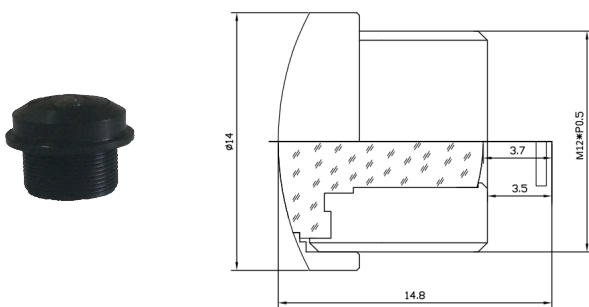


Model	SA-2518B
Focal Length	25mm
Format	1/2"
F NO.	F1.8
Iris	Fixed
Angle of View(DxHxV)	18.5°x14.5°x11°
Distortion	<-2%
M.O.D.	0.2m
Mount	M12x0.5
Resolution	0.3MP
Dimension	$\phi 16$ mm x 19.54mm

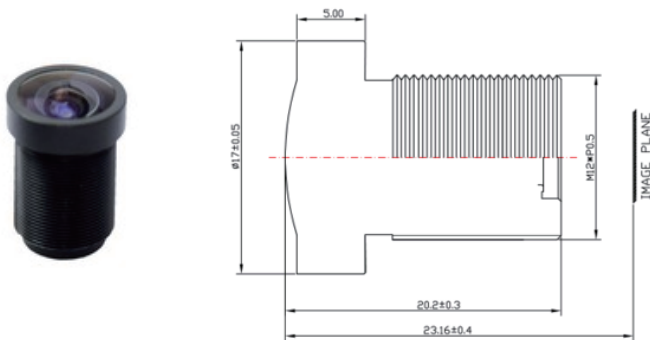
SA-MB Series

■ 1.3MP-3MP M12x0.5 Lens

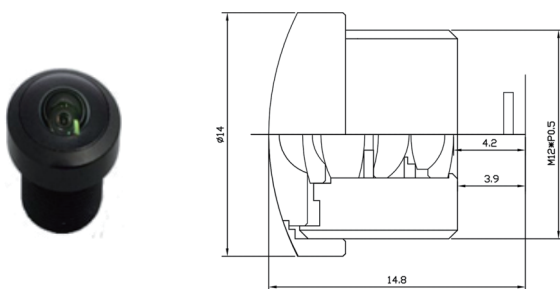
■ Applicable in security monitoring, vehicle image, sport DV, unmanned aerial vehicle shooting



Model	SA-01824MB
Focal Length	1.8mm
Format	1/3"
F NO.	F2.4
Iris	Fixed
Angle of View(DxHxV)	195°x155°x125°
Distortion	/
M.O.D.	0.2m
Mount	M12x0.5
Resolution	3MP
Dimension	φ14mm x 11mm

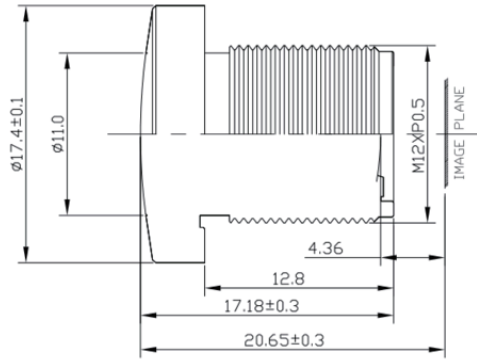


Model	SA-02120MB
Focal Length	2.1mm
Format	1/4"
F NO.	F2.0
Iris	Fixed
Angle of View(DxHxV)	133°x110°x65°
Distortion	/
M.O.D.	0.2m
Mount	M12x0.5
Resolution	2MP
Dimension	φ17mm x 20mm

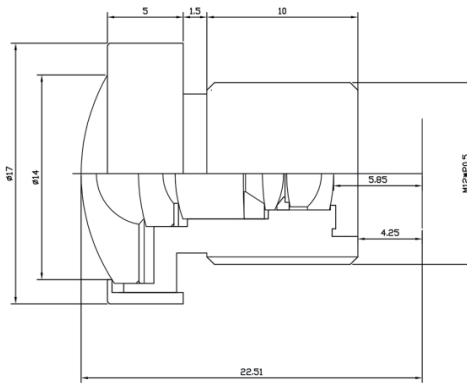


Model	SA-02325MB
Focal Length	2.3mm
Format	1/2.7"
F NO.	F2.5
Iris	Fixed
Angle of View(DxHxV)	200°x158°x105°
Distortion	/
M.O.D.	0.2m
Mount	M12x0.5
Resolution	3MP
Dimension	φ14mm x 10.8mm

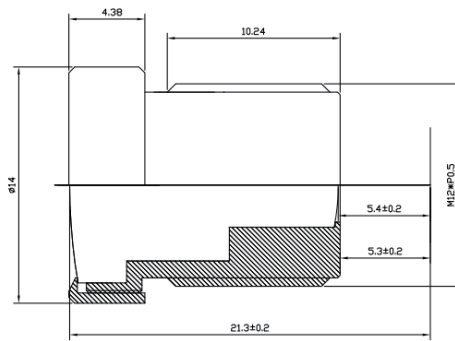
Board Lens



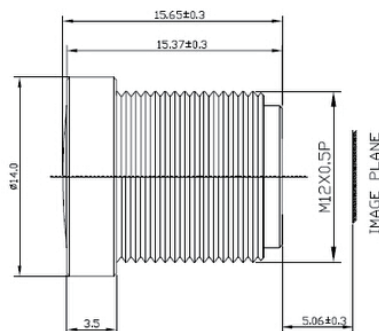
Model	SA-024520MB
Focal Length	2.45mm
Format	1/3.2"
F NO.	F2.0
Iris	Fixed
Angle of View(DxHxV)	153°x112°x80°
Distortion	/
M.O.D.	0.3m
Mount	M12x0.5
Resolution	3MP
Dimension	$\phi 17.4\text{mm} \times 17.18\text{mm}$



Model	SA-02520MB
Focal Length	2.5mm
Format	1/2.5"
F NO.	F2.0
Iris	Fixed
Angle of View(DxHxV)	170°x130°x95°
Distortion	/
M.O.D.	0.1m
Mount	M12x0.5
Resolution	3MP
Dimension	$\phi 17\text{mm} \times 18\text{mm}$

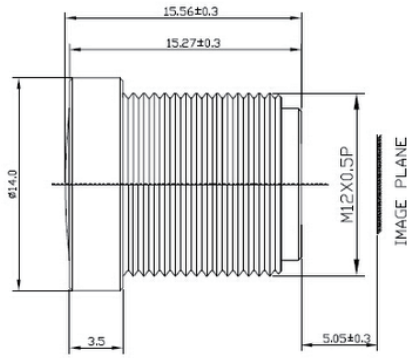


Model	SA-02820MB
Focal Length	2.8mm
Format	1/2.7"
F NO.	F2.0
Iris	Fixed
Angle of View(DxHxV)	152°x126°x86°
Distortion	/
M.O.D.	0.2m
Mount	M12x0.5
Resolution	3MP
Dimension	$\phi 14\text{mm} \times 16\text{mm}$

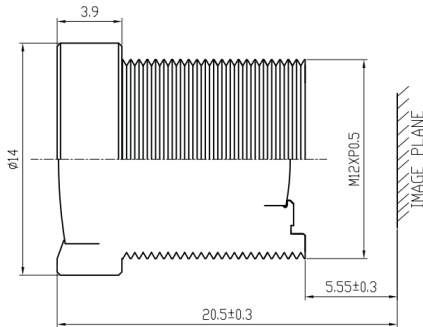


Model	SA-029226MB
Focal Length	2.92mm
Format	1/2.7"
F NO.	F2.6
Iris	Fixed
Angle of View(DxHxV)	162°x126°x63°
Distortion	< -62.5%
M.O.D.	0.2m
Mount	M12x0.5
Resolution	3MP
Dimension	$\phi 14\text{mm} \times 15.65\text{mm}$

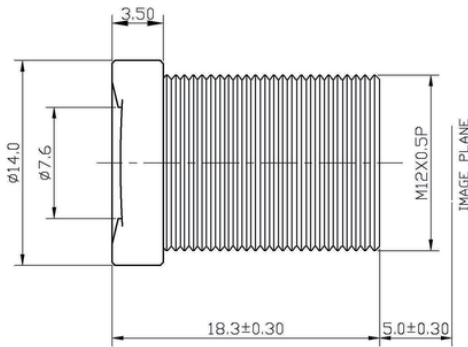
Board Lens



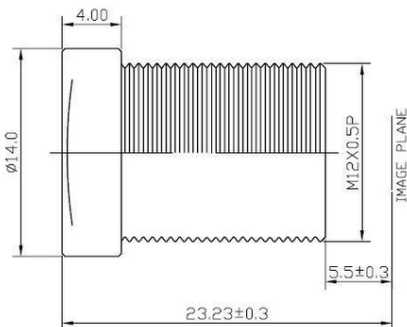
Model	SA-0324MB
Focal Length	3.0mm
Format	1/2.7"
F NO.	F2.4
Iris	Fixed
Angle of View(DxHxV)	172°x130°x64°
Distortion	<-63.2%
M.O.D.	0.2m
Mount	M12x0.5
Resolution	2MP
Dimension	φ14mm x 15.56mm



Model	SA-03320MB
Focal Length	3.3mm
Format	1/3"
F NO.	F2.0
Iris	Fixed
Angle of View(DxHxV)	120°x90°x65°
Distortion	<-42%
M.O.D.	0.3m
Mount	M12x0.5
Resolution	2MP
Dimension	φ14mm x 14.3mm

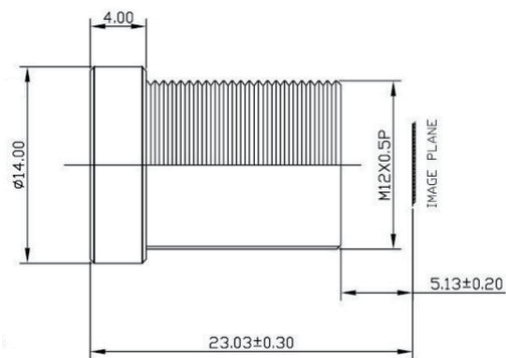


Model	SA-03617MB
Focal Length	3.6mm
Format	1/4"
F NO.	F1.7
Iris	Fixed
Angle of View(DxHxV)	64.6°x50.8°x37.7°
Distortion	<16%
M.O.D.	0.2m
Mount	M12x0.5
Resolution	3MP
Dimension	φ14mm x 18.3mm

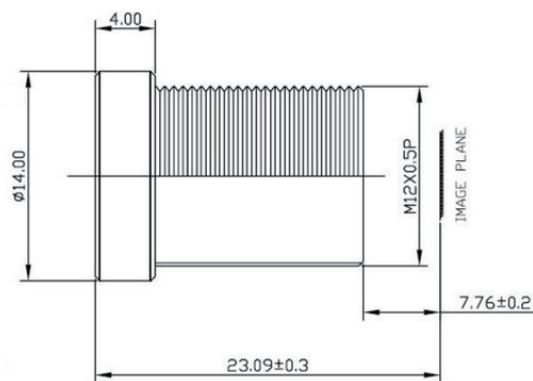


Model	SA-03620MB
Focal Length	3.6mm
Format	1/3"
F NO.	F2.0
Iris	Fixed
Angle of View(DxHxV)	102°x80°x58°
Distortion	<16.5%
M.O.D.	0.2m
Mount	M12x0.5
Resolution	1.3MP
Dimension	φ14mm x 17.73mm

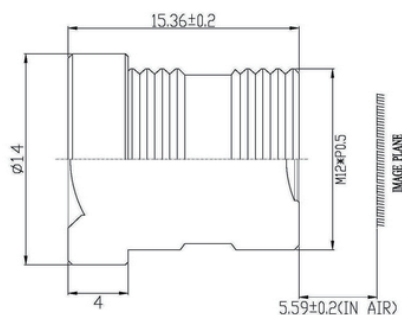
Board Lens



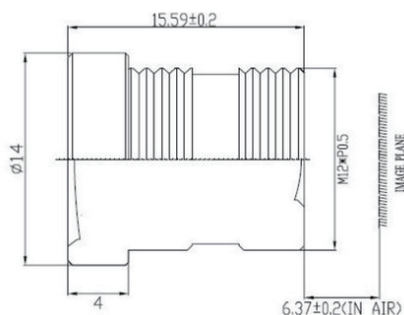
Model	SA-04620MB
Focal Length	4.6mm
Format	1/3"
F NO.	F2.0
Iris	Fixed
Angle of View(DxHxV)	80°x62°x46°
Distortion	<-22%
M.O.D.	0.2m
Mount	M12x0.5
Resolution	1.3MP
Dimension	φ14mm x 17.9mm



Model	SA-0620MB
Focal Length	6mm
Format	1/3"
F NO.	F2.0
Iris	Fixed
Angle of View(DxHxV)	58.4°x46.2°x34.5°
Distortion	<-8.6%
M.O.D.	0.2m
Mount	M12x0.5
Resolution	1.3MP
Dimension	φ14mm x 15.33mm

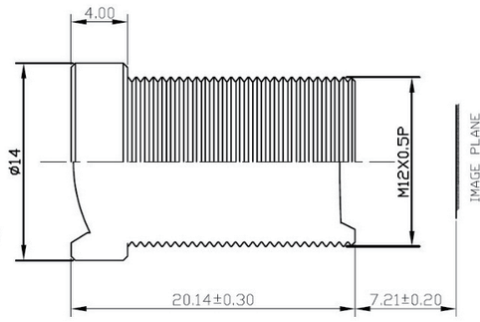


Model	SA-1216MB
Focal Length	12mm
Format	1/3"
F NO.	F1.6
Iris	Fixed
Angle of View(DxHxV)	29°x23.5°x17.2°
Distortion	<-2.5%
M.O.D.	0.2m
Mount	M12x0.5
Resolution	2MP
Dimension	φ14mm x 15.36mm



Model	SA-1616MB
Focal Length	16mm
Format	1/3"
F NO.	F1.6
Iris	Fixed
Angle of View(DxHxV)	20.2°x16.5°x12.5°
Distortion	<3.2%
M.O.D.	0.3m
Mount	M12x0.5
Resolution	2MP
Dimension	φ14mm x 15.59mm

Board Lens

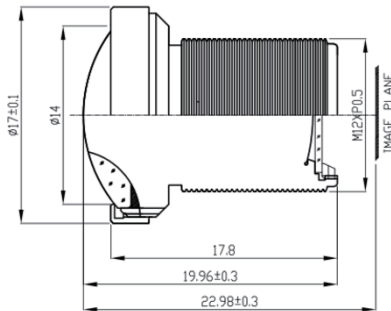


Model	SA-2520MB
Focal Length	25mm
Format	1/2"
F NO.	F2.0
Iris	Fixed
Angle of View(DxHxV)	16.4°x13.1°x9.8°
Distortion	<-2%
M.O.D.	0.2m
Mount	M12x0.5
Resolution	3MP
Dimension	$\phi 14\text{mm} \times 20.14\text{mm}$

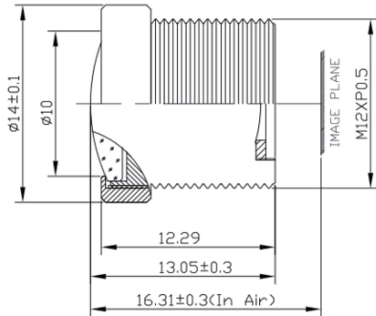
SA-HB Series

■ 5MP M12x0.5 Lens

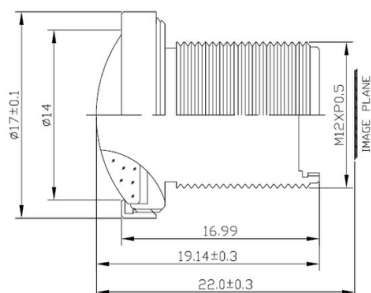
- Applicable in security monitoring, vehicle image, sport DV, unmanned aerial vehicle shooting, machine vision system



Model	SA-023524HB
Focal Length	2.35mm
Format	1/2.5"
F NO.	F2.4
Iris	Fixed
Angle of View(DxHxV)	172°x138°x105°
Distortion	/
M.O.D.	0.1m
Mount	M12x0.5
Resolution	5MP
Dimension	φ17mm x 19.96mm

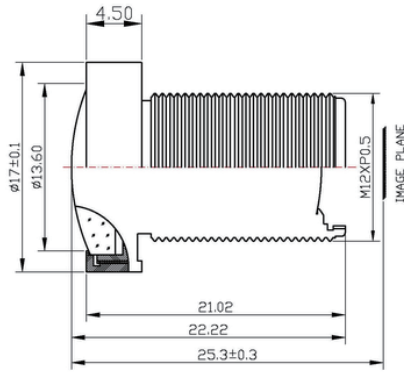


Model	SA-024524HB
Focal Length	2.45mm
Format	1/2.7"
F NO.	F2.4
Iris	Fixed
Angle of View(DxHxV)	176°x147°x78°
Distortion	/
M.O.D.	0.1m
Mount	M12x0.5
Resolution	5MP
Dimension	φ14mm x 13mm

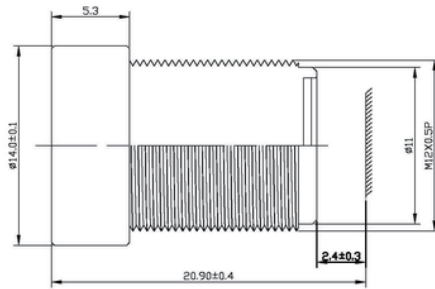


Model	SA-02524HB
Focal Length	2.5mm
Format	1/2.5"
F NO.	F2.4
Iris	Fixed
Angle of View(DxHxV)	166°x132°x98.8°
Distortion	<-83%
M.O.D.	0.1m
Mount	M12x0.5
Resolution	5MP
Dimension	φ17mm x 19.14mm

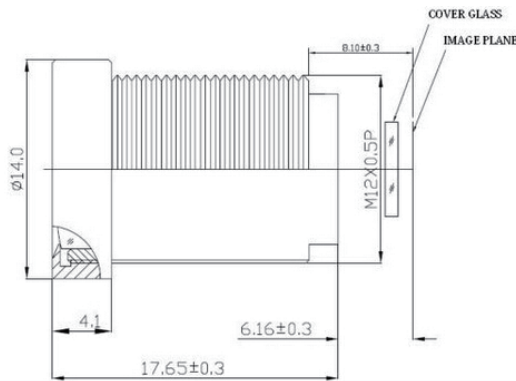
Board Lens



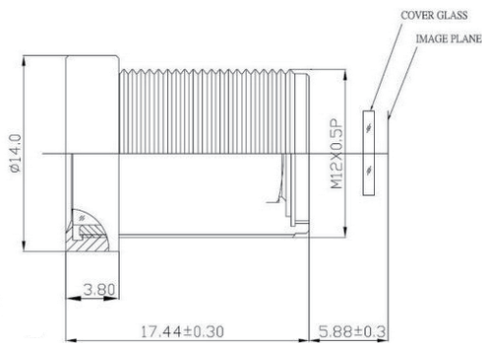
Model	SA-02918HB
Focal Length	2.9mm
Format	1/2.5"
F NO.	F1.8
Iris	Fixed
Angle of View(DxHxV)	152°x117.5°x86.5°
Distortion	/
M.O.D.	0.1m
Mount	M12x0.5
Resolution	5MP
Dimension	φ17mm x 22.22mm



Model	SA-029740HB
Focal Length	2.97mm
Format	1/2.5"
F NO.	F4.0
Iris	Fixed
Angle of View(DxHxV)	100°x87.2°x71.2°
Distortion	<1%
M.O.D.	0.2m
Mount	M12x0.5
Resolution	5MP
Dimension	φ14mm x 18.5mm

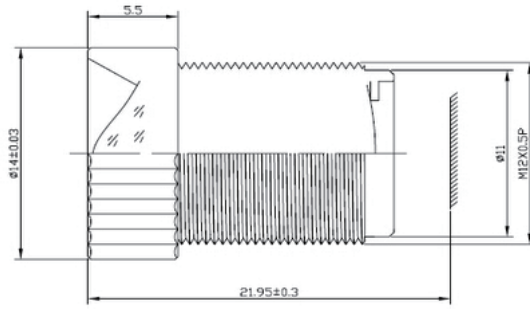


Model	SA-03618HB
Focal Length	3.6mm
Format	1/2.5"
F NO.	F1.8
Iris	Fixed
Angle of View(DxHxV)	110°x86.4°x65.4°
Distortion	<2%
M.O.D.	0.2m
Mount	M12x0.5
Resolution	5MP
Dimension	φ14mm x 17.65mm

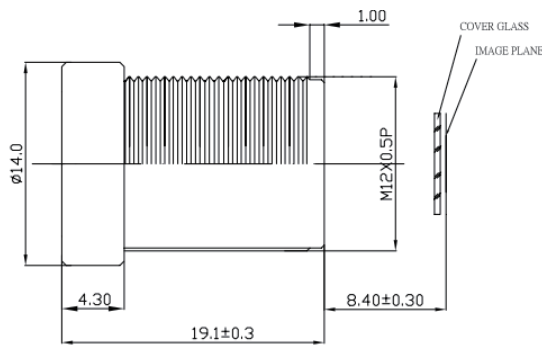


Model	SA-0418HB
Focal Length	4.0mm
Format	1/2.5"
F NO.	F1.8
Iris	Fixed
Angle of View(DxHxV)	112°x86°x63°
Distortion	/
M.O.D.	0.2m
Mount	M12x0.5
Resolution	5MP
Dimension	φ14mm x 17.44mm

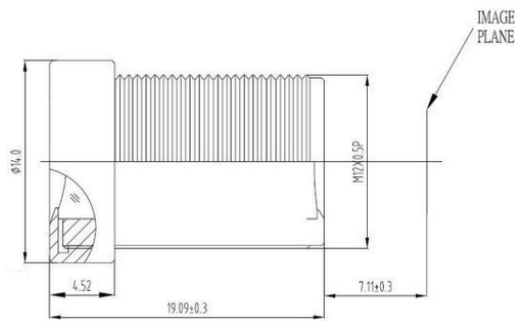
Board Lens



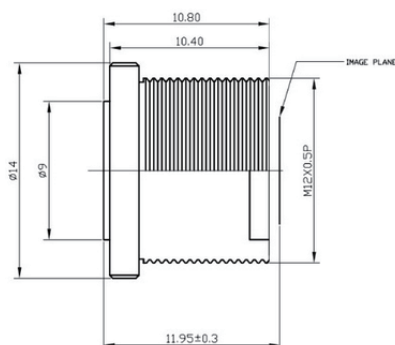
Model	SA-041430HB
Focal Length	4.14mm
Format	1/2.5"
F NO.	F3.0
Iris	Fixed
Angle of View(DxHxV)	81.1°x68.8°x54.4°
Distortion	<0.2%
M.O.D.	0.2m
Mount	M12x0.5
Resolution	5MP
Dimension	φ14mm x 17.85mm



Model	SA-0618HB
Focal Length	6mm
Format	1/2.5"
F NO.	F1.8
Iris	Fixed
Angle of View(DxHxV)	68.8°x54.8°x41.1°
Distortion	<-11.6%
M.O.D.	0.2m
Mount	M12x0.5
Resolution	5MP
Dimension	φ14mm x 19.1mm

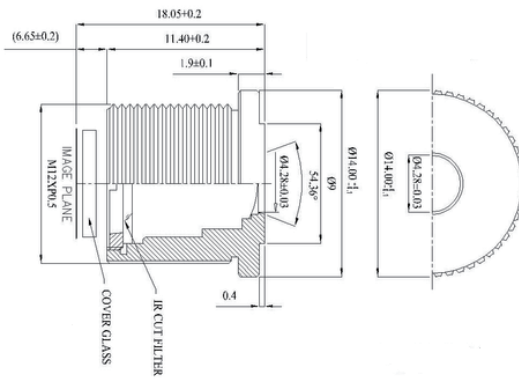


Model	SA-0818HB
Focal Length	8mm
Format	1/2.5"
F NO.	F1.8
Iris	Fixed
Angle of View(DxHxV)	52.1°x41.4°x30.8°
Distortion	<-7%
M.O.D.	0.2m
Mount	M12x0.5
Resolution	5MP
Dimension	φ14mm x 19.09mm



Model	SA-084230HB
Focal Length	8.42mm
Format	1/1.8"
F NO.	F3.0
Iris	Fixed
Angle of View(DxHxV)	56.5°x47.9°x33.1°
Distortion	<-1.15%
M.O.D.	0.2m
Mount	M12x0.5
Resolution	5MP
Dimension	φ14mm x 10.8mm

Board Lens

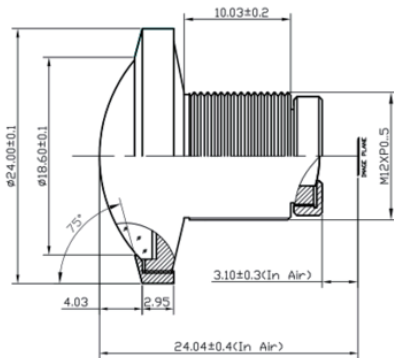


Model	SA-1228HB
Focal Length	12mm
Format	1/1.8"
F NO.	F2.8
Iris	Fixed
Angle of View(DxHxV)	41.2°x34.6°x23.5°
Distortion	<-1.75%
M.O.D.	0.1m
Mount	M12x0.5
Resolution	5MP
Dimension	$\phi 14\text{mm} \times 11.4\text{mm}$

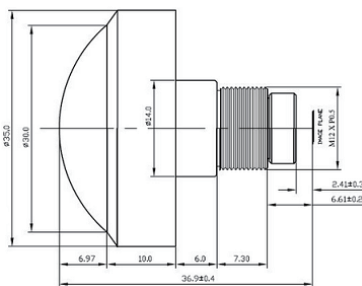
SA-FEB Series

■ Fisheye Lens

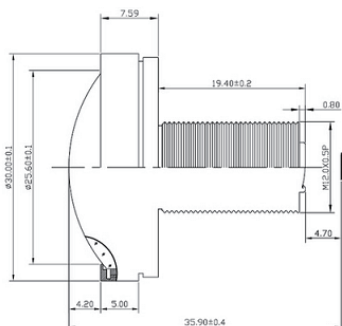
- Applicable in 360 degree panoramic shooting sites, such as security monitoring, vehicle image, sport DV, unmanned aerial vehicle shooting



Model	SA-09620FEB
Focal Length	0.96mm
Format	1/2.7"
F NO.	F2.0
Iris	Fixed
Angle of View(DxHxV)	210°x210°x205°
Distortion	/
M.O.D.	0.1m
Mount	M12x0.5
Resolution	5MP
Dimension	φ24mm x 20.8mm



Model	SA-010528FEB
Focal Length	1.05mm
Format	1/2.3"
F NO.	F2.8
Iris	Fixed
Angle of View(DxHxV)	245°x245°x245°
Distortion	/
M.O.D.	0.2m
Mount	M12x0.5
Resolution	10MP
Dimension	φ35mm x 34.5mm

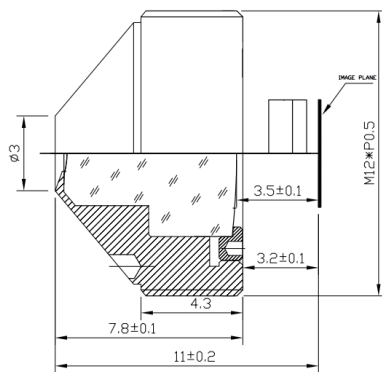


Model	SA-010820FEB
Focal Length	1.08mm
Format	1/3"
F NO.	F2.0
Iris	Fixed
Angle of View(DxHxV)	185°x185°x185°
Distortion	/
M.O.D.	0.1m
Mount	M12x0.5
Resolution	5MP
Dimension	φ30mm x 31mm

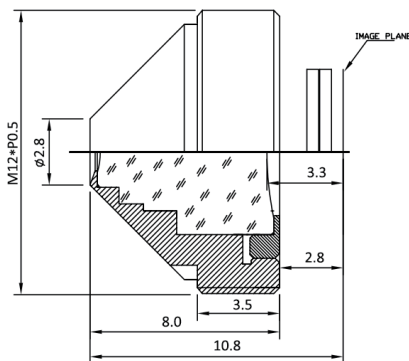
SA-PH Series

■ Pinhole Lens

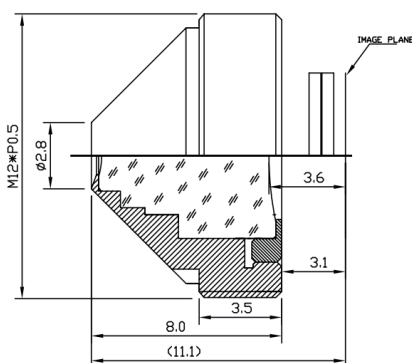
■ Applicable in automatic teller machines, security monitoring, hidden pinhole camera



Model	SA-02124PH
Focal Length	2.1mm
Format	1/4"
F NO.	F2.4
Iris	Fixed
Angle of View(DxHxV)	132°x84°x65°
Distortion	/
M.O.D.	0.3m
Mount	M12x0.5
Resolution	1.3MP
Dimension	M12 x 7.8mm

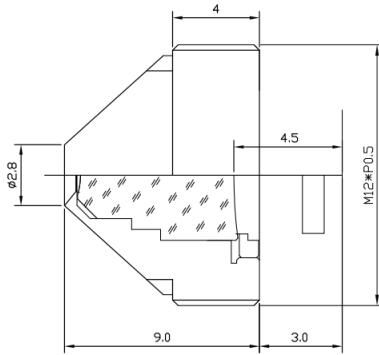


Model	SA-02524PH
Focal Length	2.5mm
Format	1/3"
F NO.	F2.4
Iris	Fixed
Angle of View(DxHxV)	140°x88°x65°
Distortion	/
M.O.D.	0.3m
Mount	M12x0.5
Resolution	1.3MP
Dimension	M12 x 8mm

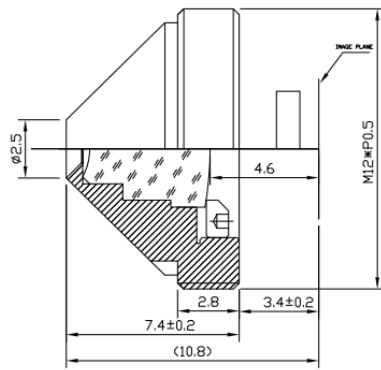


Model	SA-02824PH
Focal Length	2.8mm
Format	1/3"
F NO.	F2.4
Iris	Fixed
Angle of View(DxHxV)	125°x82°x56°
Distortion	/
M.O.D.	0.3m
Mount	M12x0.5
Resolution	1.3MP
Dimension	M12 x 8mm

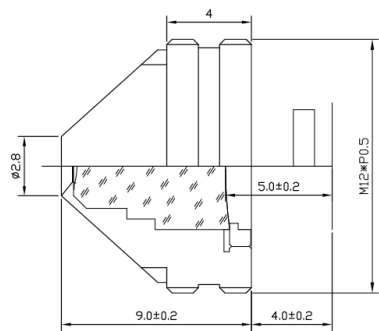
Pinhole Lens



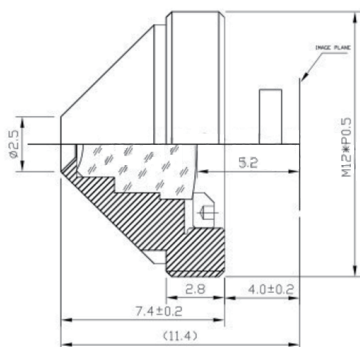
Model	SA-02824PH3M
Focal Length	2.8mm
Format	1/3"
F NO.	F2.4
Iris	Fixed
Angle of View(DxHxV)	125°x82°x56°
Distortion	/
M.O.D.	0.3m
Mount	M12x0.5
Resolution	3MP
Dimension	M12 x 9mm



Model	SA-03724PH
Focal Length	3.7mm
Format	1/3"
F NO.	F2.4
Iris	Fixed
Angle of View(DxHxV)	92°x72°x53°
Distortion	/
M.O.D.	0.3m
Mount	M12x0.5
Resolution	1.3MP
Dimension	M12 x 7.4mm

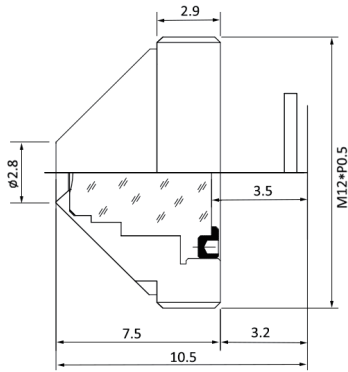


Model	SA-03724PH3M
Focal Length	3.7mm
Format	1/3"
F NO.	F2.4
Iris	Fixed
Angle of View(DxHxV)	92°x72°x53°
Distortion	/
M.O.D.	0.3m
Mount	M12x0.5
Resolution	3MP
Dimension	M12 x 9mm

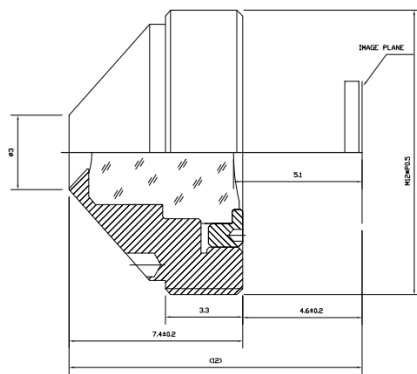


Model	SA-04328PH
Focal Length	4.3mm
Format	1/3"
F NO.	F2.8
Iris	Fixed
Angle of View(DxHxV)	80°x62°x46°
Distortion	/
M.O.D.	0.3m
Mount	M12x0.5
Resolution	1.3MP
Dimension	M12 x 7.4mm

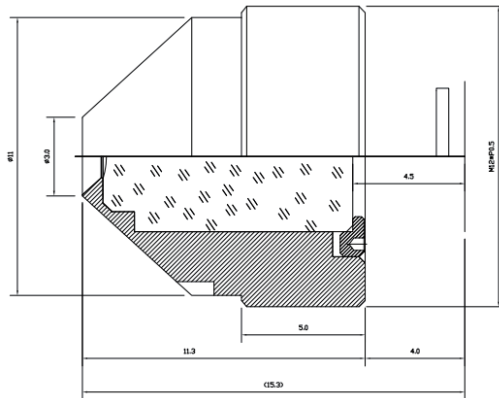
Pinhole Lens



Model	SA-04324PH3M
Focal Length	4.3mm
Format	1/3"
F NO.	F2.4
Iris	Fixed
Angle of View(DxHxV)	80°x62°x46°
Distortion	/
M.O.D.	0.3m
Mount	M12x0.5
Resolution	3MP
Dimension	M12 x 7.5mm



Model	SA-0628PH
Focal Length	6mm
Format	1/3"
F NO.	F2.8
Iris	Fixed
Angle of View(DxHxV)	60°x48°x36°
Distortion	/
M.O.D.	0.3m
Mount	M12x0.5
Resolution	1.3MP
Dimension	M12 x 7.4mm



Model	SA-0832PH
Focal Length	8mm
Format	1/3"
F NO.	F3.2
Iris	Fixed
Angle of View(DxHxV)	42°x33°x25°
Distortion	/
M.O.D.	0.3m
Mount	M12x0.5
Resolution	1.3MP
Dimension	M12 x 11.3mm